



Revolving
Doors

Sliding
Doors

Hospital
Doors

90° Degree
Doors

Security
Access
Systems

Puerta automática
corredera semicircular



Full Circular Automatic Sliding Door



Half Circular Automatic Sliding Door



Segmented Circular Automatic Sliding Door



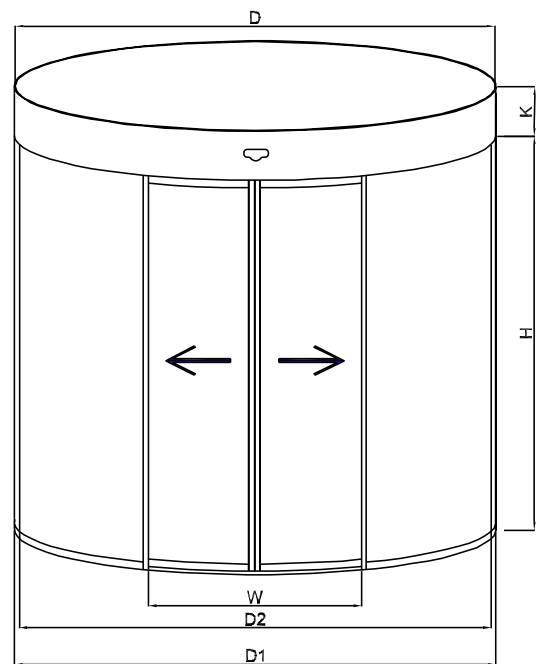


D	D1	D2	W	H	K
2000	1966	1806	1250	2100-3100	200-1000
2200	2166	2006	1390	2100-3100	200-1000
2400	2366	2206	1530	2100-3100	200-1000
2600	2566	2406	1680	2100-3100	200-1000
2800	2766	2606	1820	2100-3100	200-1000
3000	2966	2806	1960	2100-3100	200-1000
3200	3166	3006	2100	2100-3100	200-1000
3400	3366	3206	2240	2100-3100	200-1000
3600	3566	3406	2380	2100-3100	200-1000
3800	3766	3606	2520	2100-3100	200-1000
4000	3966	3806	2660	2100-2500	200-1000
4200	4166	4006	2800	2100-2500	200-1000
4400	4366	4206	2950	2100-2500	200-1000

* Dimensions are in millimeters.

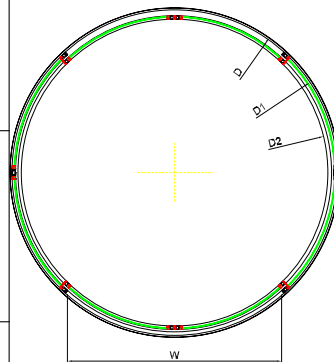
** Dimensions are for reference and changeable according to requirements.

*** Special dimensions are available according to requirements.



Design and Alternatives

	Half Circular	Segment	Full Circular
Basic Configuration			
Design Options	 Half circular combination	 Segment combination	 3 entries full circular
	 inside building half circular	 inside building concave segment half circular	 asymmetric side full circular



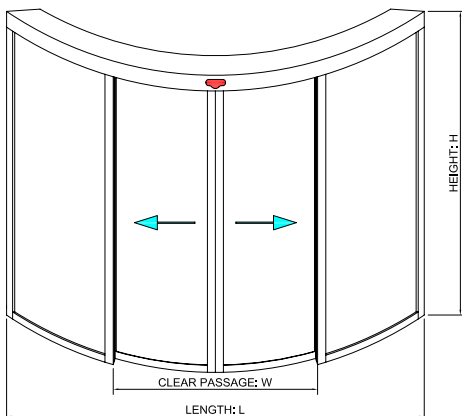
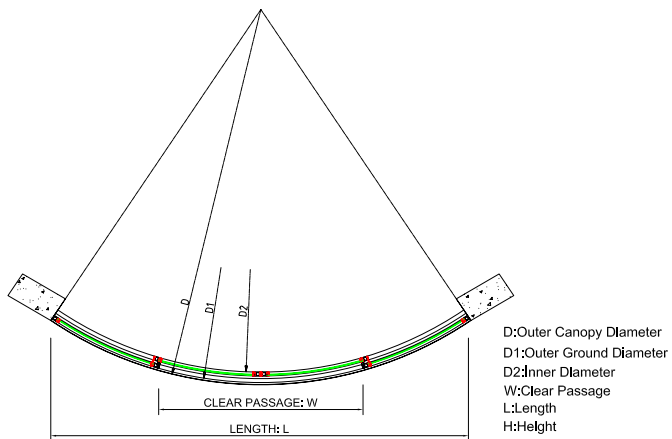
D: Canopy outer diameter
D1: Floor outer diameter
D2: Inner diameter
W: Passage width
H: Passage height
K: Canopy height

Technical Specifications

Voltage	220 V AC / 50-60 Hz	
Motor	24V DC Dunker Brush Motor	
Motor Power	100 W	
Protection Circuit	Stepped protection system	
Operating Temperature	-20 °C - +55 °C	
Moving speed	10 - 1500 mm / sec	
Moving acceleration	10 - 1500 mm / sec ²	
Position Switch	5 position	
Roller System	3 Wheel roller	
Speed Control	Standard	
Battery		Optional
Locking	Manuel Lock	
Elektronic Lock		Optional
Transmission	8M Belt	
Processor functions	15 Function	
Burglar Mode	Standard	
Emergency Situation Mode	Standard	
Anodized Cover	Standard	
Elektrostatic Powder Coating	Standard	
Stainless Steel Cover		Optional

* Contact for special request upon project basis.

** Some specifications are not available for static requirements.





 **Aprimatic**
URMET GROUP

www.aprimatic.es
aprimatic@aprimatic.es